

Name: _____


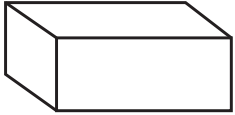
Date: _____

3-D Shapes in the World


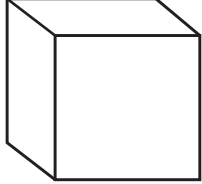


Cut out the pictures and glue them next to the matching shape.


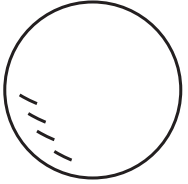
Rectangular Prism




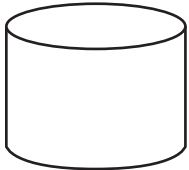
Cube




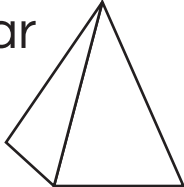
Sphere





Cylinder



Triangular Pyramid



Cone



✂

